



SURFACE-TREATED CHAINS (N), (BC), and (DG)

These surface-treated chains have attractive appearance and increased corrosion resistance. Select the optimum type from the surface-treated chains to suit your application.

Rustop (N)

All parts are plated with special nickel.

- Attractive nickel-plated appearance and corrosion resistance
- Maximum allowable load: About 15% lower than that of standard steel chain (see next page)
- Operating range: -10°C to +60°C
- Usable instead of most steel chains and chains with attachment
- When ordering, please put a suffix "N" to Chain No.

BC Coat (BC)

Special mechanical surface-treatment on all parts. Matte dark gray finish. Compliant to RoHS Directive

- Usable even when subject to seawater
- Maximum allowable load is the same as that of standard steel chain (see next page)
- Protective film has higher peeling resistance than that of DC coat chain.
- Ordinary operating temperature range of -10°C to +150°C
- Usable instead of most steel chains and chains with attachments
- When ordering, please put a suffix "BC" to Chain No.

DG COAT (DG)

Special coat and top coat on all parts. Compliant to RoHS Directive

- Usable even when subject to seawater
- Maximum allowable load is the same as that of standard steel chain (see next page)
- Operating range: -10°C to +60°C
- Usable instead of most steel chains and chains with attachments
- When ordering, please put a suffix "DG" to Chain No.

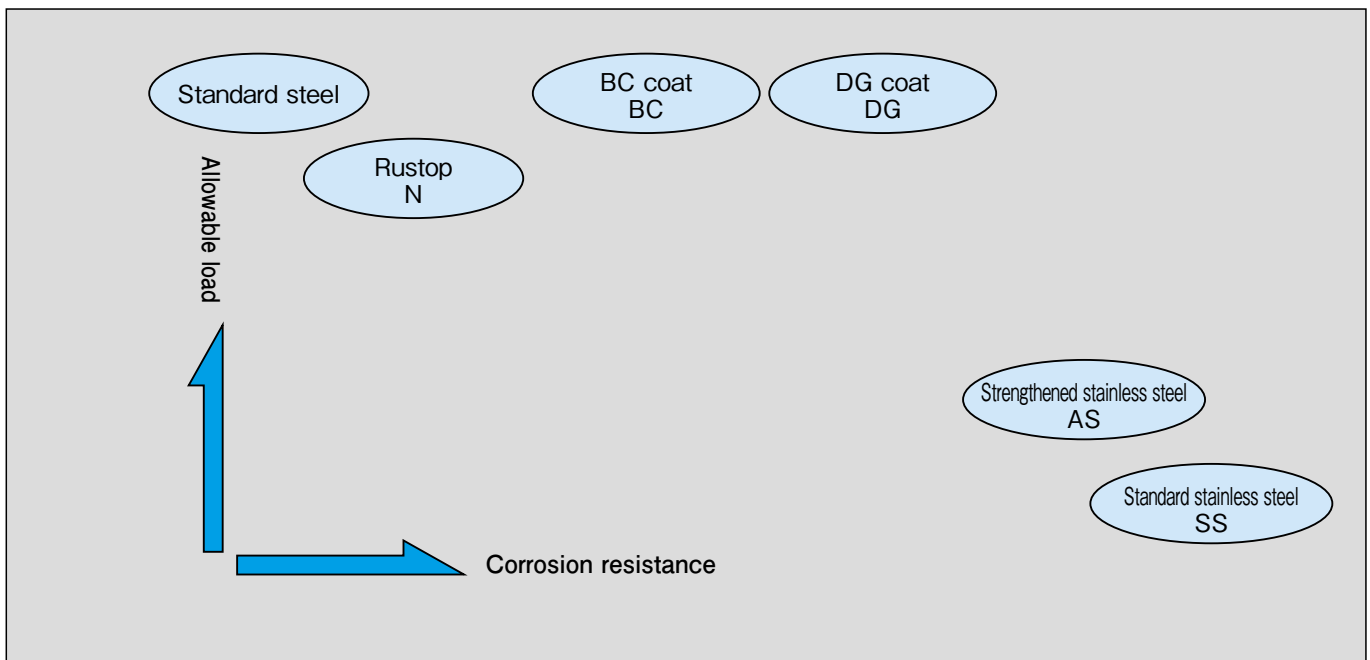
RoHS Directive refers to the European Union's Directive on the Restriction of use certain Hazardous Substances in electrical and electronic equipment.

Safety Precautions: Do not use surface-treated chain if chain directly contacts food or abrasion particles are mixed into food.

● Maximum Allowable Loads of Surface-Treated Chains

KCM Chain No.	Type	Max. Allowable Load of Surface-Treated Chains			Max. Allowable Load of SS Chains		Max. Allowable Load of Std steel Chains kN (kgf)
		Rustop "N" kN (kgf)	BC coat "BC" kN (kgf)	DG coat "DG" kN (kgf)	Standard "SS" kN (kgf)	Strengthened "AS" kN (kgf)	
KCM 40		3.04 (310)	3.63 (370)	3.63 (370)	0.44 (45)	0.69 (70)	3.63 (370)
KCM 50		5.39 (550)	6.37 (650)	6.37 (650)	0.69 (70)	1.03 (105)	6.37 (650)
KCM 60		7.26 (740)	8.83 (900)	8.83 (900)	1.03 (105)	1.57 (160)	8.83 (900)
KCM 80		12.70 (1,300)	14.71 (1,500)	14.71 (1,500)	1.77 (180)	2.65 (270)	14.71 (1,500)
KCM 100		19.12 (1,950)	22.56 (2,300)	22.56 (2,300)	2.55 (260)	—	22.56 (2,300)
KCM 2040		2.65 (270)	2.65 (270)	2.65 (270)	0.44 (45)	0.69 (70)	2.65 (270)
KCM 2050		4.31 (440)	4.31 (440)	4.31 (440)	0.69 (70)	1.03 (105)	4.31 (440)
KCM 2060		6.28 (640)	6.28 (640)	6.28 (640)	1.03 (105)	1.57 (160)	6.28 (640)
KCM 2060H		6.28 (640)	6.28 (640)	6.28 (640)	1.03 (105)	1.57 (160)	6.28 (640)
KCM 2080		10.69 (1,090)	10.69 (1,090)	10.69 (1,090)	1.77 (180)	2.65 (270)	10.69 (1,090)
KCM 2080H		10.69 (1,090)	10.69 (1,090)	10.69 (1,090)	1.77 (180)	2.65 (270)	10.69 (1,090)

NOTES: - Dimensions of surface-treated chains are the same as those of standard steel chains.
 - Connecting links of BC coat chains are split pin type.
 - Surface-treated chain can be used in place of most standard steel chains and chains with attachments.



NOTES: - This chart is graphical presentation, not showing actual ratios.
 - Corrosion resistance varies depending on operating conditions.