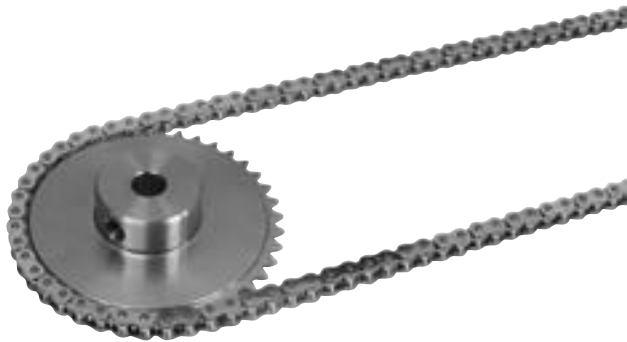




# MICRO-PITCH STAINLESS CHAIN



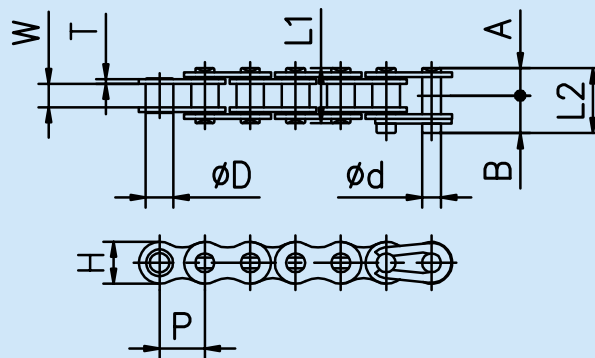
CHAIN PITCH 3.7465mm

11SS stainless chain are made of SUS304, high corrosion resistance.

<Use of 11SS stainless chain>

for medical, office equipment etc.

We can supply the sprocket for this chain.



○ Dimensions

[Unit: mm]

KCM Chain No.	Pitch P	Width between Inner Plates W	Roller Dia. D	Pin					Link Plate			Max. Allowable Load kN (kgf)	Approx. Weight (kg/m)	Links of 1 unit
				Dia. d	A	B	(A+A) L <sub>1</sub>	(A+B) L <sub>2</sub>	Thickness T	Height H	Height h			
11SS	3.7465	1.83	*2.285	1.57	2.28	3.1	4.56	5.38	0.38	3.5	3.5	0.05 ( 5)	0.052	134

- NOTES: - The dimension with an \* shows as bush diameter.  
 - Connecting link of 11SS is open clip type and both sides rivet.  
 - We do not supply Offset link for 11SS.  
 - 11 SS stainless chain is lubricated.



# STRENGTHENED STAINLESS STEEL CHAINS (AS)

Pins and rollers of the AS chains are made of precipitation hardening stainless steel for increased allowable load.

Maximum allowable load is 1.5 times that of standard SS chain. If allowable load of SS chain is insufficient, please specify the AS chain.

Corrosion resistance of the AS chain is slightly lower than that of the SS chain. Operating range is -20°C to +400°C .

NOTE: The AS chain has magnetism of precipitation hardening stainless steel.



Chain No.	Max. Allowable Load kN (kgf)
KCM 40AS	0.69 ( 70)
KCM 50AS	1.03 (105)
KCM 60AS	1.57 (160)
KCM 80AS	2.65 (270)

- NOTES: - Dimension, weight, and connecting links are the same as those of the SS chain.  
 - For offset link, only two-pitch type is available.  
 - AS chain with attachment is available.